



VIRTUOSE 3D RV™

The Virtuose 3D RV is a 6 degrees-of-freedom haptic device with 3 active force feedback translations.

The Virtuose 3D RV is specifically designed to interact in Virtual Reality environments. Thanks to its large workspace and high forces, it enables a scale one interaction with digital mock-up.

Research

Medical co-manipulation

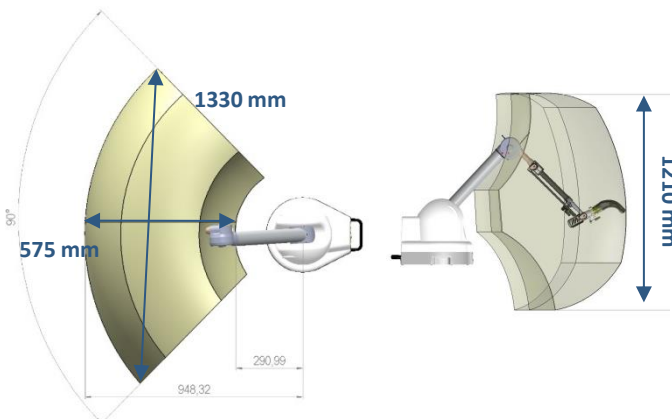
Virtual Reality

Medical training & simulation



3 ACTIVE TRANSLATIONS + 3 PASSIVE ROTATIONS = 6 MEASUREMENTS

- ✓ Passive weight balancing
- ✓ Ethernet/UDP communication system
- ✓ Removable handle, equipped with 3 user buttons and a presence sensor
- ✓ Software interface:
 - ✓ Drivers (binary and/or source code) available for: Python™ for IPSI™, ROS™, ROS2™, CHAI3D™, ODE™, Matlab Simulink™, LabVIEW™
 - ✓ Dedicated plug-ins for: 3DExperience™, Catia™ & Delmia™ V5, Solidworks™
 - ✓ Solutions for Unity, Unreal, and other real-time interactive simulation platforms by our Partners : LS Group, Tree-C, TOIA Ltd, ...



MODULARITY

The end-effector is easy to remove and replace, with no tool, in order to customize the application and reinforce the sensation of immersion. The end-effector is equipped with three user push-buttons, one permit for instance to be used a shift feature to extend the workspace. User push-buttons status are provided to the software interface.



The end effector orientation can be modified. The device can be configured in up-side-down position.

We are available to discuss with you any customized needs you have.

TECHNICAL

Translation workspace	1330 x 575 x 1020 mm
Rotation Workspace	330° x 120° x 270°
Payload (center of the workspace):	35 N (peak)/ 10 N (continuous)
Position resolution	0.016 mm
Rotation resolution	0.35 °
Device weight	12 kg

ELECTRICAL

Power supply	100-240 VAC 50/60Hz single phase
Consumption	Average consumption 200W Max consumption: 540W

SOFTWARE

Maximum translation stiffness	2000 N/m
Update Rate	1000 Hz

Information in this document is subject to change without notice.

HAPTION S.A.S.

8 ZA Route de Laval – 53210 SOULGE SUR OUETTE – France

Tel. +33(0)2 43 64 51 20

Email : contact@haption.com <https://www.haption.com>

