

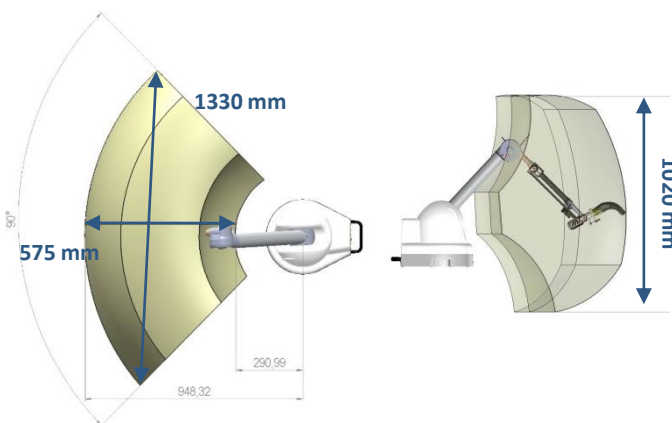
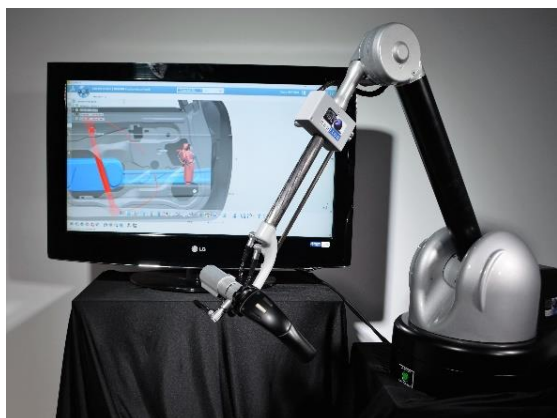
The Virtuose 6D HF is a 6 active degrees-of-freedom haptic device, specifically designed to interact in Virtual Reality environments. Thanks to its large workspace and high forces, it enables a scale one interaction with digital mock-up from the CAD.

- # Virtual Reality
- # Industrial Simulation
- # Medical Teleoperation
- # Medical Comanipulation
- # Rehabilitation



6 ACTIVE DEGREES-OF-FREEDOM

- ✓ Passive weight balancing
- ✓ Ethernet/UDP communication system
- ✓ Removable handle, equipped with programmable buttons and a proximity sensor connected to a dead-man function
- ✓ Software interface:
 - ✓ Dedicated plug-ins for: 3DExperience™, Catia™ & Delmia™ V5, Solidworks™
 - ✓ Drivers (binary and/or source code) available for: Python™, ROS™, CHAI3D™, ODE™, Matlab Simulink™
 - ✓ By Partner: Unity3D™



MODULARITY

The user takes hold of the haptic device using a gripper or handle placed at the tip (called “end-effector”). The end-effector is easy to remove and replace, so that a frequent change of tool is possible, in order to customize the application and reinforce the sensation of immersion. The gripping tool is equipped with three push-buttons. One of the push-buttons is dedicated to the offset function, while the state of the other buttons can be accessed using the VIRTUOSE API.



TECHNICAL

| | |
|------------------------------------|--------------------------------|
| Translation workspace | 1330 x 575 x 1020 mm |
| Rotation Workspace | 330° x 120° x 270° |
| Payload (center of the workspace): | 70 N (peak)/ 30 N (continuous) |
| Rotation force: Peak, Continuous | 3.1 Nm / 1 Nm |
| Position resolution | 0.016 mm |
| Rotation resolution | 0.003 ° |
| Device Weight | 12 kg |

ELECTRICAL

| | |
|--------------|---|
| Power supply | 100-240 VAC 50/60Hz single phase |
| Consumption | Average consumption 200W Max consumption: 540W |

SOFTWARE

| | |
|-------------------------------|----------|
| Maximum translation stiffness | 2000 N/m |
| Maximum rotation stiffness | 40Nm/rad |
| Update Rate | 1000 Hz |

The Virtuose 6D, Virtuose 6D TAO and Virtuose 3D are also available upside-down. We are available to discuss with you any specific request for integration.

HAPTION S.A.

8 ZA Route de Laval – 53210 SOULGE SUR OUETTE – France
 Tel. +33(0)2 43 64 51 20 Fax. +33(0)2 43 64 51 21
 Email : contact@haption.com <https://www.haption.com>