



VIRTUOSE 6D RV™ HIGH FORCE

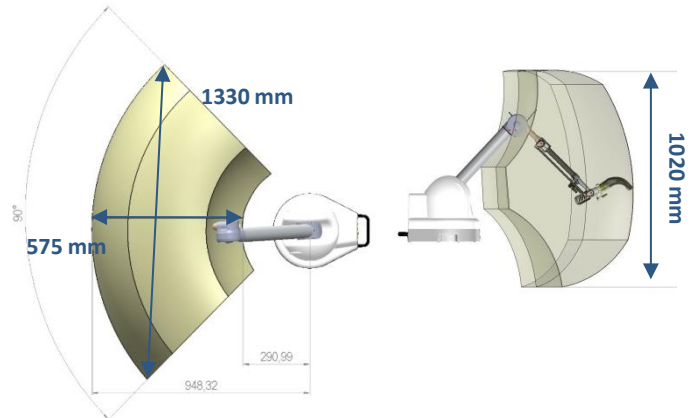
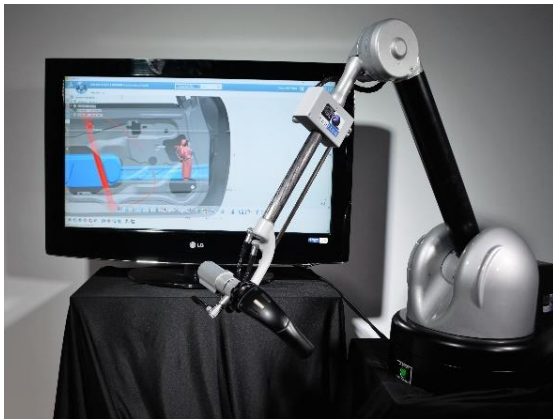
The Virtuose 6D RV HF is a 6 active degrees-of-freedom haptic device, specifically designed to interact in Virtual Reality environments. Thanks to its large workspace and high forces, it enables a scale one interaction with digital mock-up from the CAD.



- # Virtual Reality
- # Industrial Simulation
- # Research
- # Medical Teleoperation
- # Medical Co-manipulation
- # Rehabilitation

6 ACTIVE DEGREES-OF-FREEDOM

- ✓ Passive weight balancing
- ✓ Ethernet/UDP communication system
- ✓ Removable handle, equipped with 3 user buttons and a presence sensor
- ✓ Software interface:
 - ✓ Drivers (binary and/or source code) available for: Python™ for IPSI™, ROS™, ROS2™, CHAI3D™, ODE™, Matlab Simulink™, LabVIEW™
 - ✓ Dedicated plug-ins for: 3DEXperience™, Catia™ & Delmia™ V5, Solidworks™
 - ✓ Solutions for Unity, Unreal, and other real-time interactive simulation platforms by our Partners : LS Group, Tree-C, TOIA Ltd, ...



MODULARITY

The end-effector is easy to remove and replace, with no tool, in order to customize the application and reinforce the sensation of immersion. The end-effector is equipped with three user push-buttons, one permit for instance to be used a shift feature to extend the workspace. User push-buttons status are provided to the software interface.



The end effector orientation can be modified. The device can be configured in up-side-down position.

We are available to discuss with you any customized needs you have.

TECHNICAL

| | |
|------------------------------------|--------------------------------|
| Translation workspace | 1330 x 575 x 1020 mm |
| Rotation Workspace | 330° x 120° x 270° |
| Payload (center of the workspace): | 70 N (peak)/ 30 N (continuous) |
| Rotation force: Peak, Continuous | 3.1 Nm / 1 Nm |
| Position resolution | 0.016 mm |
| Rotation resolution | 0.003 ° |
| Device Weight | 12 kg |

ELECTRICAL

| | |
|--------------|---|
| Power supply | 100-240 VAC 50/60Hz single phase |
| Consumption | Average consumption 200W Max consumption: 540W |

SOFTWARE

| | |
|-------------------------------|-----------|
| Maximum translation stiffness | 10000 N/m |
| Maximum rotation stiffness | 40Nm/rad |
| Update Rate | 1000 Hz |



Information in this document is subject to change without notice.

HAPTION S.A.S.
 8 ZA Route de Laval – 53210 SOULGE SUR OUETTE – France
 Tel. +33(0)2 43 64 51 20
 Email : contact@haption.com <https://www.haption.com>