



# Virtuose 6D Desktop™

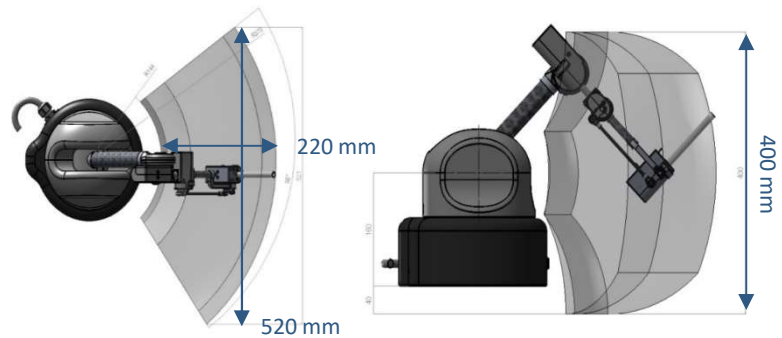
The Virtuose 6D Desktop is a 6 active degrees-of-freedom haptic device. Its workspace and small footprint address it to an individual use, in front of a desktop screen, a HMD or inside a simulator.



- # Industrial training
- # Medical teleoperation
- # Medical training & simulation
- # Virtual Reality

## 6 ACTIVE DEGREES-OF-FREEDOM

- ✓ Passive weight balancing
- ✓ Ethernet/UDP communication system
- ✓ Easily removed handle: standard M6 connector
- ✓ Dedicated plug-ins for: Unity3D™, 3DExperience™, Catia™ & Delmia™ V5, Solidworks™, Siemens Tecnomatix™ & Classic Jack™
- ✓ Drivers (binary and/or source code) available for: Python™, Worldviz Vizard™, ROS™, CHAI3D™, ODE™, Matlab Simulink™, Nvidia Flex™, ...



## MODULARITY

The user takes hold of the haptic device using a gripper or handle placed at the tip (called “end-effector”). The end-effector uses a M6 standard connector. It is easy to remove and replace, so that a frequent change of tool is possible, in order to customize the application and reinforce the sensation of immersion. The gripping tool is equipped with three push-buttons. One of the push-buttons is dedicated to the offset function, while the state of the other buttons can be accessed using the VIRTUOSE API.



## TECHNICAL

|                                     |                    |
|-------------------------------------|--------------------|
| Translation workspace               | 520 x 220 x 400 mm |
| Rotation Workspace                  | 270° x 120° x 250° |
| Translation force: Peak, Continuous | 10 N, 3 N          |
| Rotation force: Peak, Continuous    | 0.8 Nm, 0.2 Nm     |
| Position resolution                 | 0.023 mm           |
| Rotation resolution                 | 0.0023 °           |
| Device Weight                       | 3.6 kg             |

## ELECTRICAL

|              |                                  |
|--------------|----------------------------------|
| Power supply | 100-240 VAC 50/60Hz single phase |
| Consumption  | Less than 200W                   |

## SOFTWARE

|                               |          |
|-------------------------------|----------|
| Maximum translation stiffness | 1000 N/m |
| Maximum rotation stiffness    | 4 Nm/rad |
| Update Rate                   | 1000 Hz  |

The Virtuose 3D Desktop and Virtuose 6D Desktop are also available upside-down. We are available to discuss with you any specific request for integration.

## HAPTION S.A.

Atelier relais ZA Route de Laval – 53210 SOULGE SUR OUETTE – France  
 Tel. +33(0)2 43 64 51 20 Fax. +33(0)2 43 64 51 21  
 Email : contact@haption.com <https://www.haption.com>